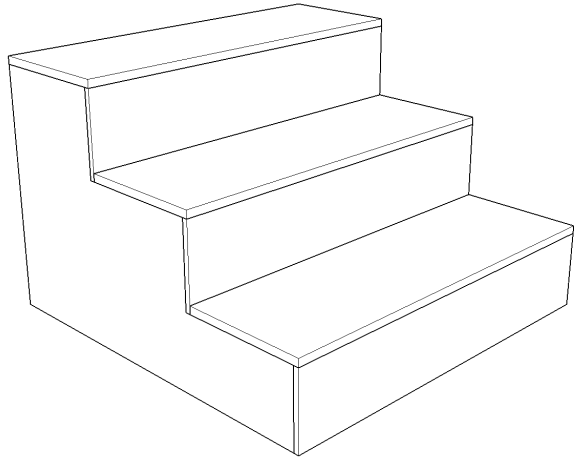
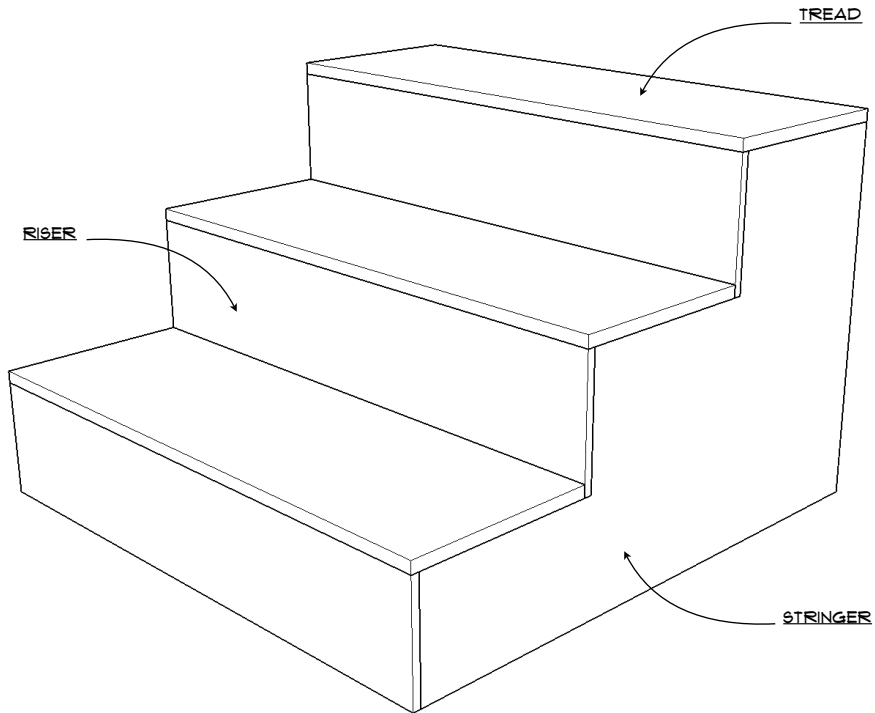


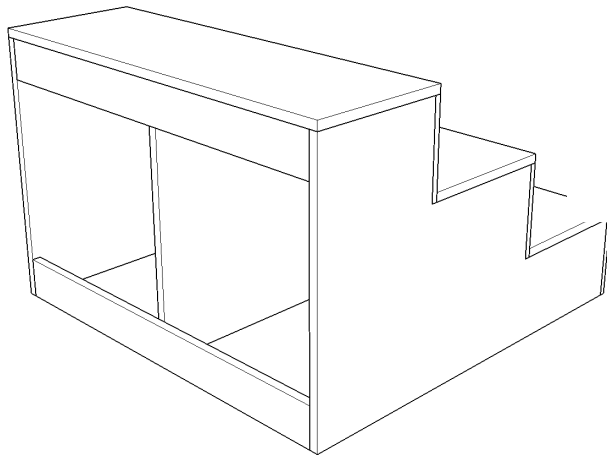
**STAIR UNIT**  
FRONT ISOMETRIC VIEW



**STANDARD INDEPENDENT**  
**STAIR UNIT**  
**3' L X 3' W X 2' H**



**STAIR UNIT**  
REAR ISOMETRIC VIEW



Technical Director/Contact Information:

**DANIEL CZYPIŃSKI**  
**DCZTEIN@CALSTATELA.EDU**

Drawn By: **DANIEL CZYPIŃSKI**

Revision Date:

Notes:

FRAME ASSEMBLED USING 2-1/2" COARSE THREAD DRYWALL SCREWS

TREADS SECURED USING 1-5/8" COARSE THREAD DRYWALL SCREWS

RISER SECURED USING 1-1/4" COARSE THREAD DRYWALL SCREWS

Project:

**STOCK SCENERY:**  
**INDEPENDENT STAIR UNIT**

Director:

Purpose:

INSTRUCTIONAL

Date:

**SEPTEMBER 2016**

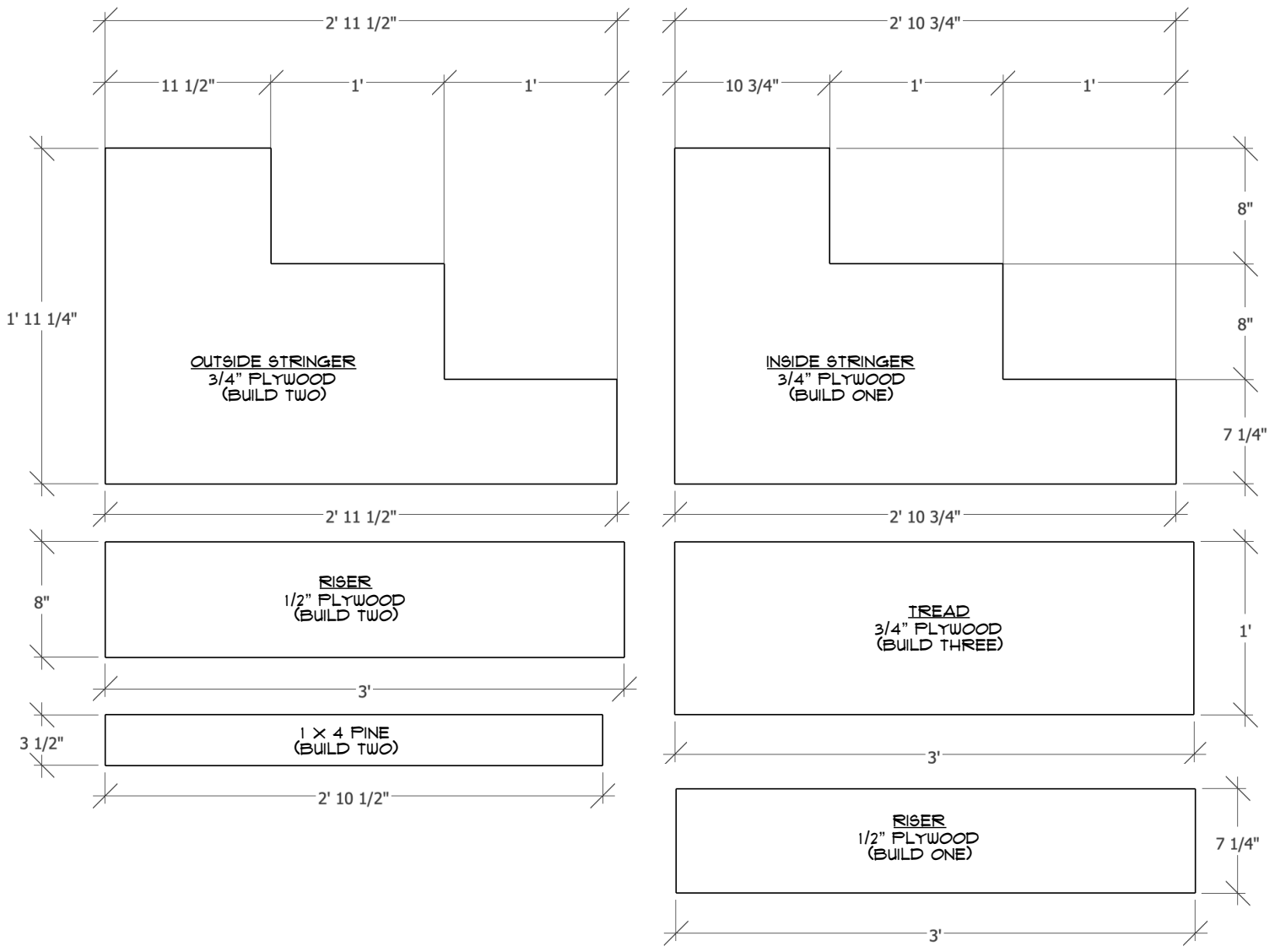
Scale:

**NOT TO SCALE**

Plate #:

**1**  
**OF**  
**3**

# CUT LIST



Technical Director/Contact Information:  
**DANIEL CZYPINSKI**  
 DCZYPIN@CALSTATELA.EDU

Drawn By: DANIEL CZYPINSKI  
 Revision Date:

Notes:  
 FRAME ASSEMBLED USING 2-1/2" COARSE THREAD DRYWALL SCREWS  
 TREADS SECURED USING 1-5/8" COARSE THREAD DRYWALL SCREWS  
 RISER SECURED USING 1-1/4" COARSE THREAD DRYWALL SCREWS

Project: **STOCK SCENERY: INDEPENDENT STAIR UNIT**

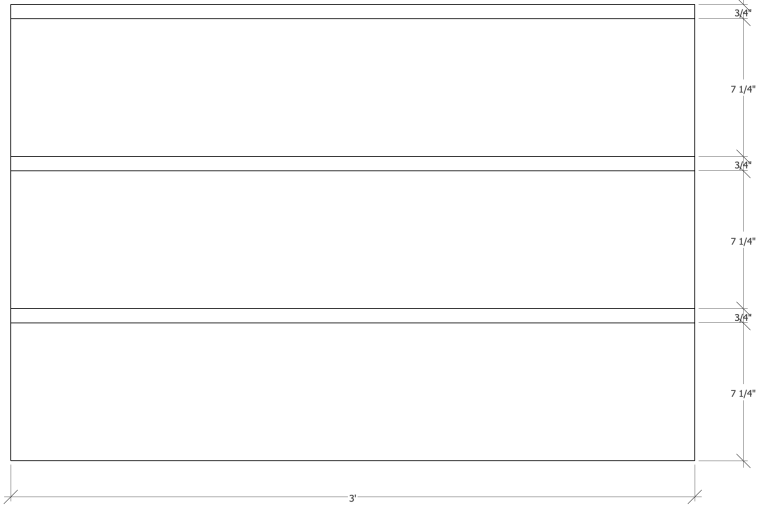
Director: **INSTRUCTIONAL**

Purpose:

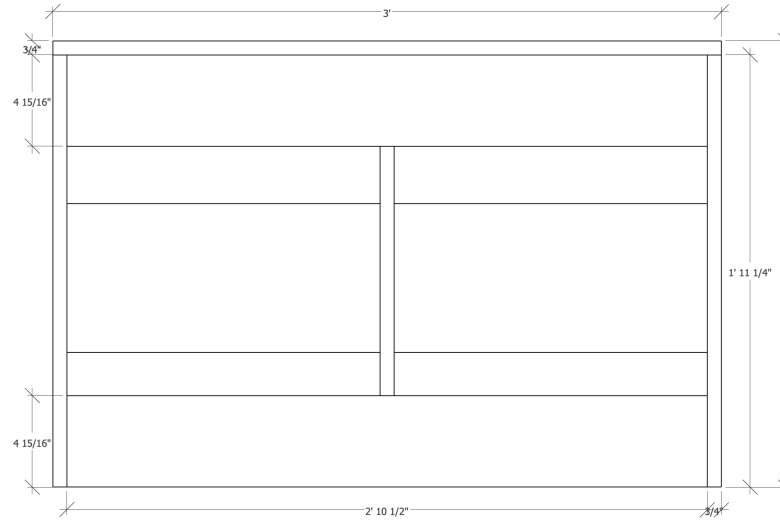
Date: **SEPTEMBER 2016**

Scale: **NOT TO SCALE**

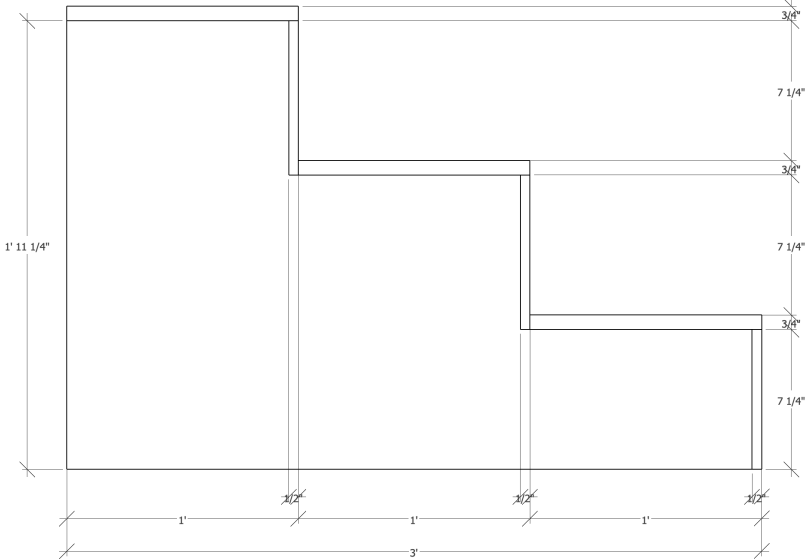
Plate #: **2 OF 3**



VIEW: FRONT ELEVATION



VIEW: REAR ELEVATION



VIEW: SECTION

INDEPENDENT  
STAIR UNIT

Technical Director/Contact Information:  
**DANIEL CZYPIŃSKI**  
**DCZYPIN@CALSTATELA.EDU**

Drawn By: **DANIEL CZYPIŃSKI**  
Revision Date:

Notes:  
**FRAME ASSEMBLED USING 2-1/2" COARSE THREAD DRYWALL SCREWS**  
**TREADS SECURED USING 1-5/8" COARSE THREAD DRYWALL SCREWS**  
**RISER SECURED USING 1-1/4" COARSE THREAD DRYWALL SCREWS**

Project: **STOCK SCENERY: INDEPENDENT STAIR UNIT**

Director:

Purpose: **INSTRUCTIONAL**

Date: **SEPTEMBER 2016**

Scale: **NOT TO SCALE**

Plate #:  
**3  
OF  
3**