

PLAN VIEW

Technical Director/Contact Information:
GHOSTLIGHT ENTERTAINMENT
 DCZYPINSKI@GMAIL.COM

Drawn By: DANIEL CZYPINSKI

Revision Date:

Notes:

USE STOCK WENGER
 PLATFORMING FOR STAGE
 CONFIGURATION.

PLATFORMING TO BE 2'0"
 HIGH

UTILIZE STOCK STAIR UNITS IF
 AVAILABLE. CONSTRUCT
 STAIR UNITS AS NECESSARY

Project: **MANSFIELD PARK**

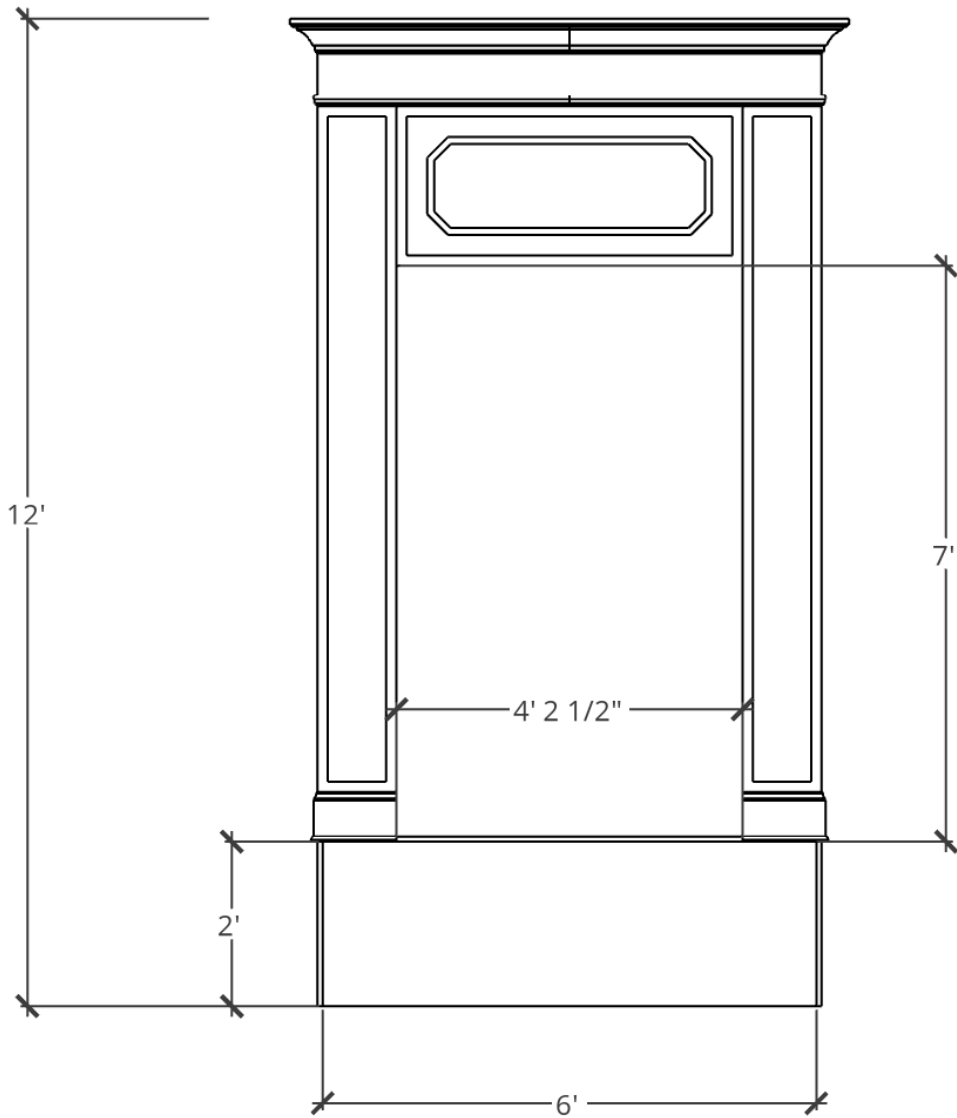
Director: SUZANNA GUZMAN

Purpose: PLATFORM CONFIGURATION

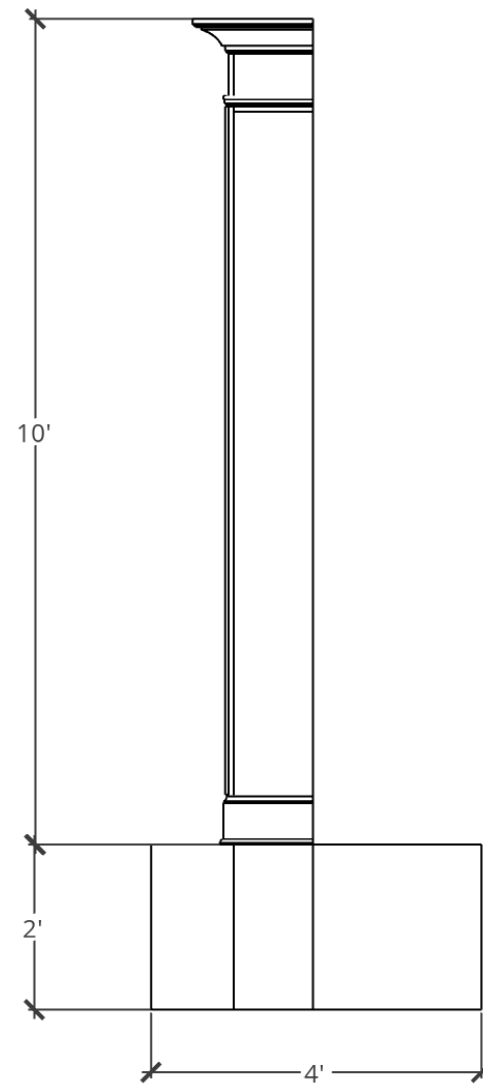
Date: **OCTOBER 2021**

Scale: **NOT TO SCALE**

Plate #: **1**

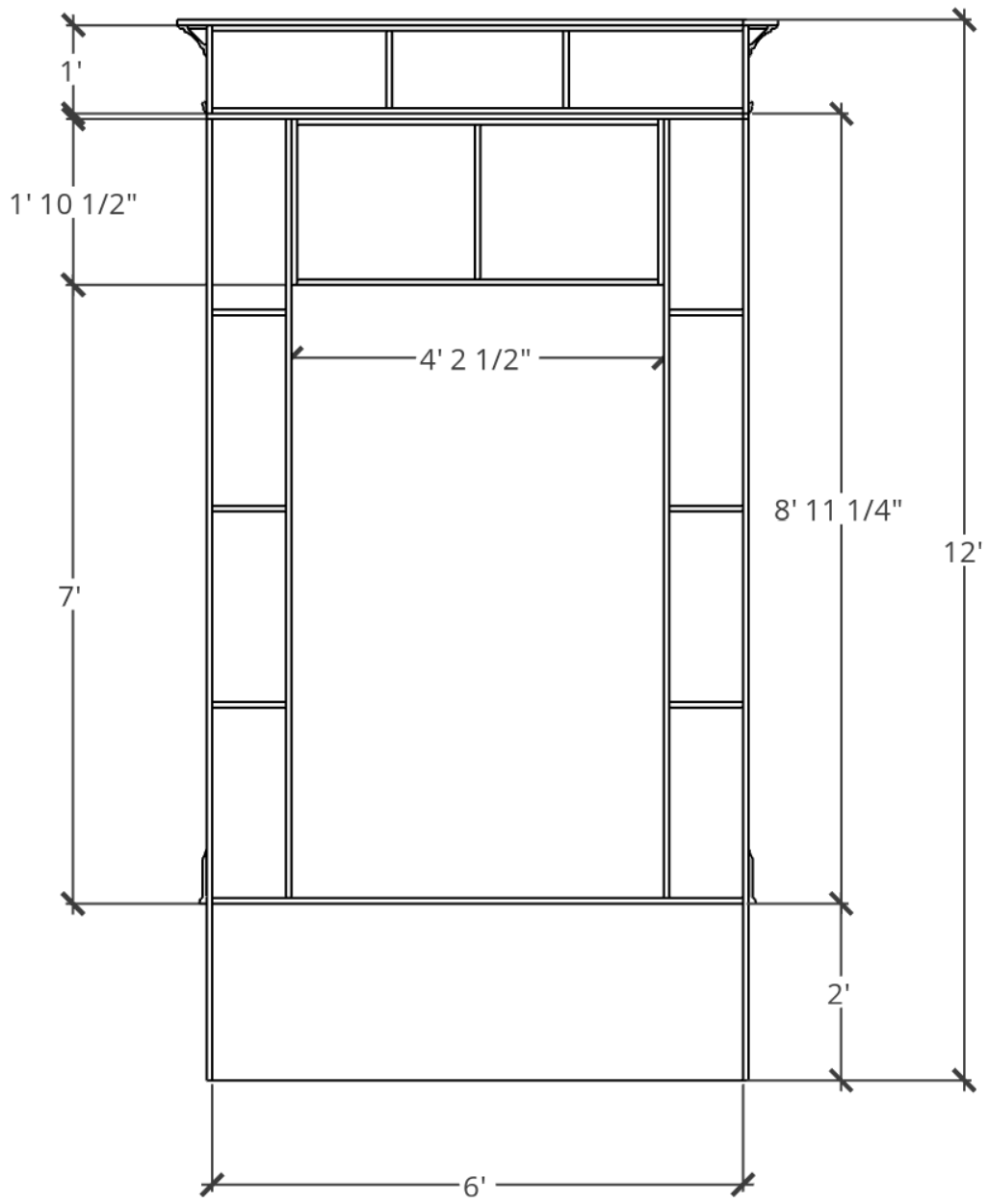


FRONT ELEVATION

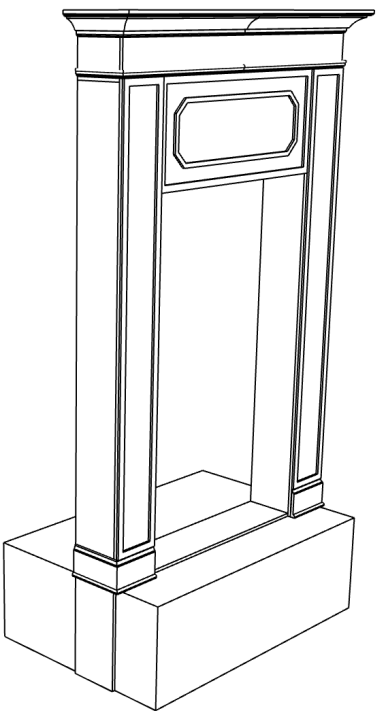


SECTION VIEW

Technical Director/Contact Information: GHOSTLIGHT ENTERTAINMENT DCZYPINSKI@GMAIL.COM	Drawn By: DANIEL CZYPINSKI
	Revision Date:
Notes: BUILD TWO FLAT FRAMES CONSTRUCTED USING 1"x12" PINE WINDOW INSERTS NOT INCLUDED IN DRAWING ALL MOLDING SUBJECT TO CHANGE DEPENDING ON AVAILABILITY	
Project: MANSFIELD PARK	Director: SUZANNA GUZMAN
Purpose: ROLLING WINDOW UNITS	
Date: OCTOBER 2021	
Scale: NOT TO SCALE	
Plate #: 2	



REAR ELEVATION



ISOMETRIC VIEW

Technical Director/Contact Information:
GHOSTLIGHT ENTERTAINMENT
DCZYPINSKI@GMAIL.COM

Drawn By: DANIEL CZYPINSKI
 Revision Date:

Notes:
 BUILD TWO
 FLAT FRAMES CONSTRUCTED
 USING 1"x12" PINE
 WINDOW INSERTS NOT INCLUDED IN
 DRAWING
 ALL MOLDING SUBJECT TO
 CHANGE DEPENDING ON
 AVAILABILITY

Project: **MANSFIELD PARK**

Director: SUZANNA GUZMAN

Purpose: ROLLING WINDOW UNITS

Date: **OCTOBER 2021**

Scale: **NOT TO SCALE**

Plate #: **2B**